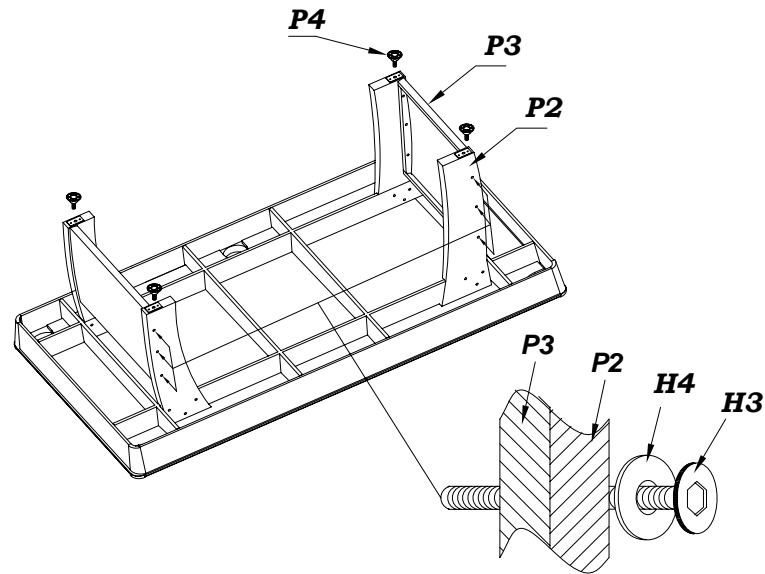
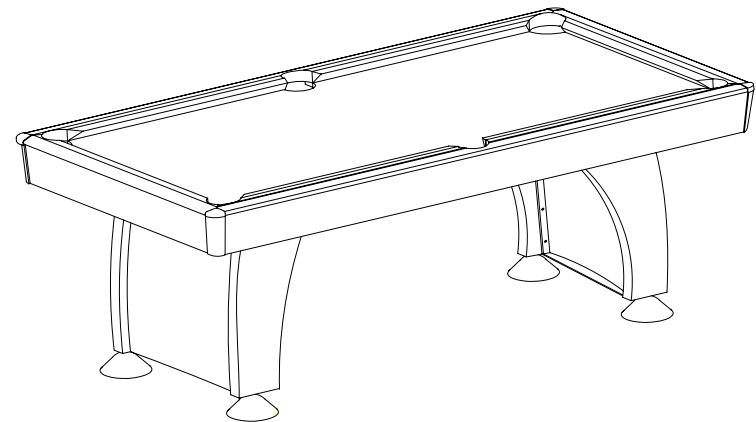
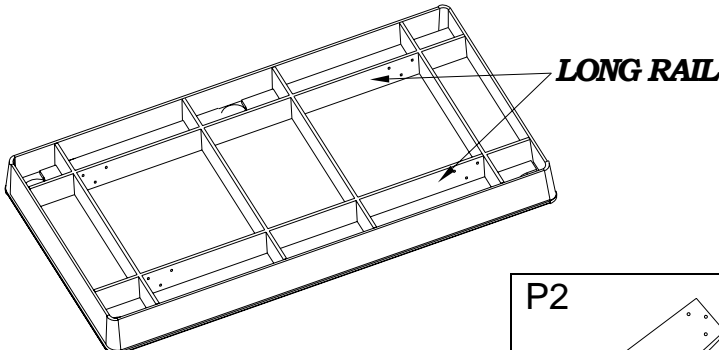
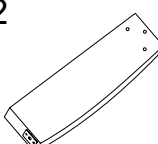
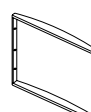

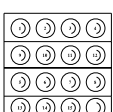
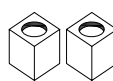
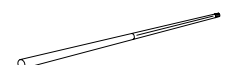
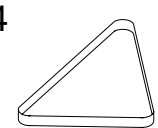
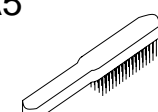

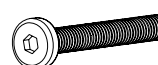





2. Attach the end leg panels **P3** to the **INSIDE** surface of legs **P2** using Bolts **H3** and washers **H4** as shown.
3. Screw leg levelers **P4** into bottom of legs **P2**.



CAD-300-05
POOL TABLE
ASSEMBLY INSTRUCTIONS



PARTS IDENTIFIER		
<p>P1</p>  <p>LONG RAIL</p> <p>Main Cabinet 1 set</p>		
<p>P2</p>  <p>Leg 4 pcs</p>		
<p>P3</p>  <p>Leg Panel 2 pcs</p>	<p>P4</p>  <p>Leg Leveler 4 pcs</p>	<p>A1</p>  <p>Pool Ball 1 set</p>
<p>A2</p>  <p>Chalk 2 pcs</p>	<p>A3</p>  <p>Cue Stick 2 pcs</p>	<p>A4</p>  <p>Triangle 1 pc</p>
<p>A5</p>  <p>Brush 1 pc</p>	<p>A6</p>  <p>Tool 1 pc</p>	<p>H1</p>  <p>5/16"x1-3/8" Bolt 12 pcs</p>

PARTS IDENTIFIER		
<p>H2</p>  <p>5/16" BLACK FLAT WASHER 12 pcs</p>	<p>H3</p>  <p>1/4"x2-1/4" Bolt 12 pcs</p>	<p>H4</p>  <p>1/4" BLACK FLAT WASHER 12 pcs</p>

ASSEMBLY INSTRUCTIONS

POOL TABLE ASSEMBLY

WARNING:TWO ADULTS NEEDED TO ASSEMBLE POOL TABLE

Find a clean, level place to begin the assembly of your snooker table. We recommend building the table on the box top to protect the parts during assembly.

1. Attach legs **P2** to long rail using bolts **H1** and washers **H2**.

