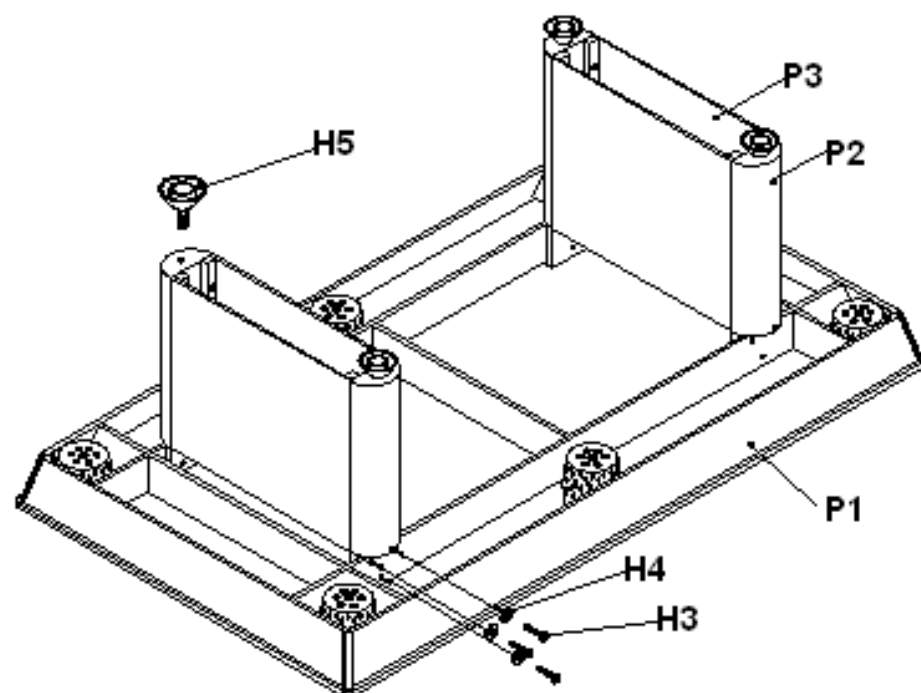


ASSEMBLY INSTRUCTIONS

POOL TABLE ASSEMBLY

WARNING: TWO ADULTS NEEDED TO ASSEMBLE SOCCER TABLE

2. Attach the two previously made leg assemblies to the table using 3/8" bolts **H3** and 3/8" washers **H4** as shown.
3. Screw leg levelers **H5** into bottom of legs **P2** as shown.



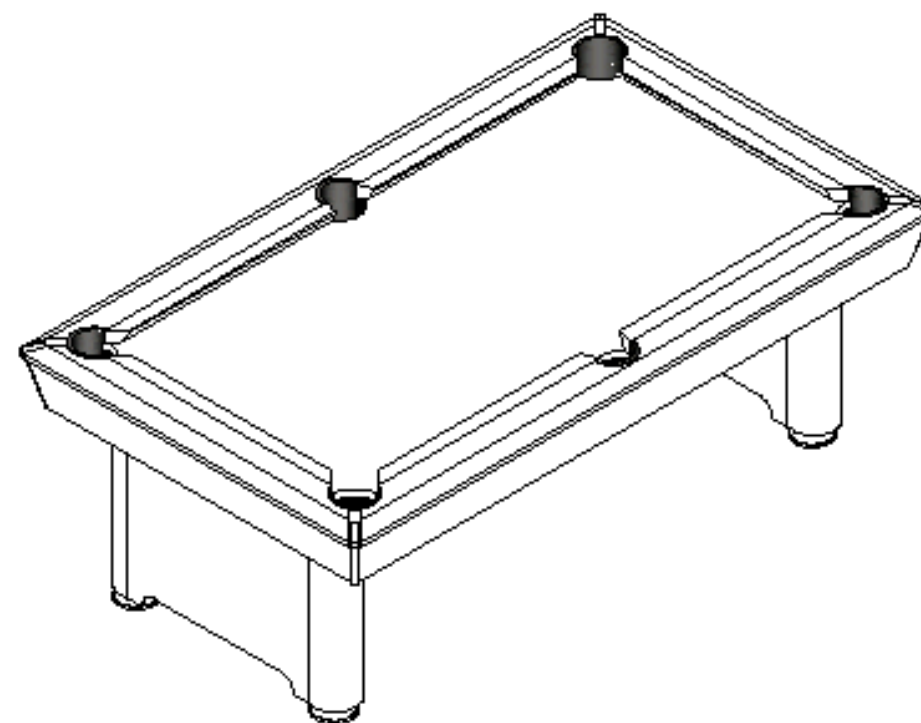
PRIME TECH®

GAMES USA

CAD-300-32

BILLARDTISCH

Montageanleitung

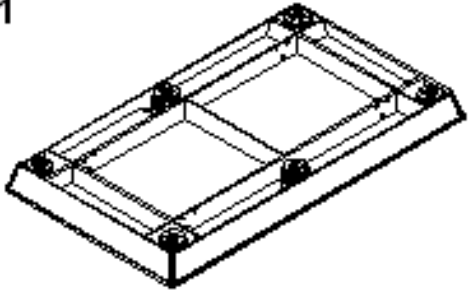









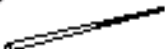


EMPFÖHLEN FÜR KINDER AB 14 JAHREN

© 2006 PRIME TECH®




© 2006 PRIME TECH®

PARTS IDENTIFIER

P1  Main Cabinet 1pc		P2  Leg 4pcs
		P3  Leg Panel 4pcs
H1  1/4" Bolt 16pcs	H2  1/4" Washer 16pcs	H3  3/8" Bolt 12pcs
H4  3/8" Washer 12pcs	H5  Leg Leveler 4pcs	
A1  Pool Ball 1set	A2  Triangle 1pc	A3  Cue Stick 2pcs

© 2006 PRIME TECH®

PARTS IDENTIFIER

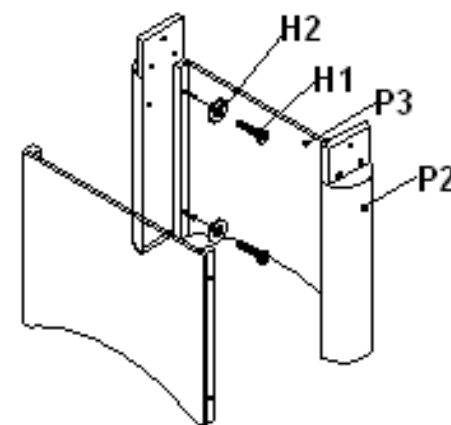
A4  Chalk 2pcs	A5  Brush 1pc	A6  Allen Key 2pcs
---	--	---

ASSEMBLY INSTRUCTIONS

POOL TABLE ASSEMBLY

WARNING: TWO ADULTS NEEDED TO ASSEMBLE SOCCER TABLE

1. Assemble the leg **P2** and leg panels **P3** using the 1/4" washers **H2** and the 1/4"x2" bolts **H1** as shown.



© 2006 PRIME TECH®