

# PRIME TECH®

## INSTALLATION AND OPERATION MANUAL



### ★ **TBD-GA-6000DL** **LIGHT BAR** ★

#### **▲ WARNING**

The lives of people depend on your safe installation, It is important to read and follow all instruction shipped with the products. In addition, listed below are some other important safety instructions and precautions you should follow.

**▲ WARNING**

1. The vehicle speed limit is 120 Kilometers per hour.
2. Strickly following the Installation and Operation Manual.

#### **SPECIFICATIONS**

Input Voltage. . . . . 12VDC  
Input Current. . . . . 18.5 AMPS  
Output Voltage. . . . . Maximum 222W

Input Voltage. . . . . 24VDC  
Input Current. . . . . 9AMPS  
Output Voltage. . . . . Maximum 222W

#### **PARTS LIST**

HOOK	2 PCS
SHIM	8 PCS
SCREW	2 PCS
CAP SCREW	2 PCS
HOOK MOUNTING	2 PCS
ADJUSTMENT BOLT	2 PCS

#### **BEFORE INSTALLATION**

- To properly install a light bar: you must have a good understanding of automotive electrical procedures and systems, along with proficiency in the instruction and service of safety warning equipment.
- When drilling into a vehicle structure, be sure that both sides of the surface are clear of anything that could be damaged.
- You should frequently inspect the light system to ensure that it is operating properly and that it is securely attached to the vehicle.
- Refer to the instruction sheets packed with related products for additional precautions and information.
- File these instructions in a safe place and refer to them when maintaining and/or re-installing the product.

**Failure to follow all safety precautions and instructions may result in property damage, serious injury, or death to you or others.**

#### **DURING INSTALLATION**

- Do not connect this system to the vehicle battery until all other electrical connections are made, mounting of all components is complete, and you have verified. That no short exist.
- Installation of this hook kit requires the use of parts from the mounting system kit.

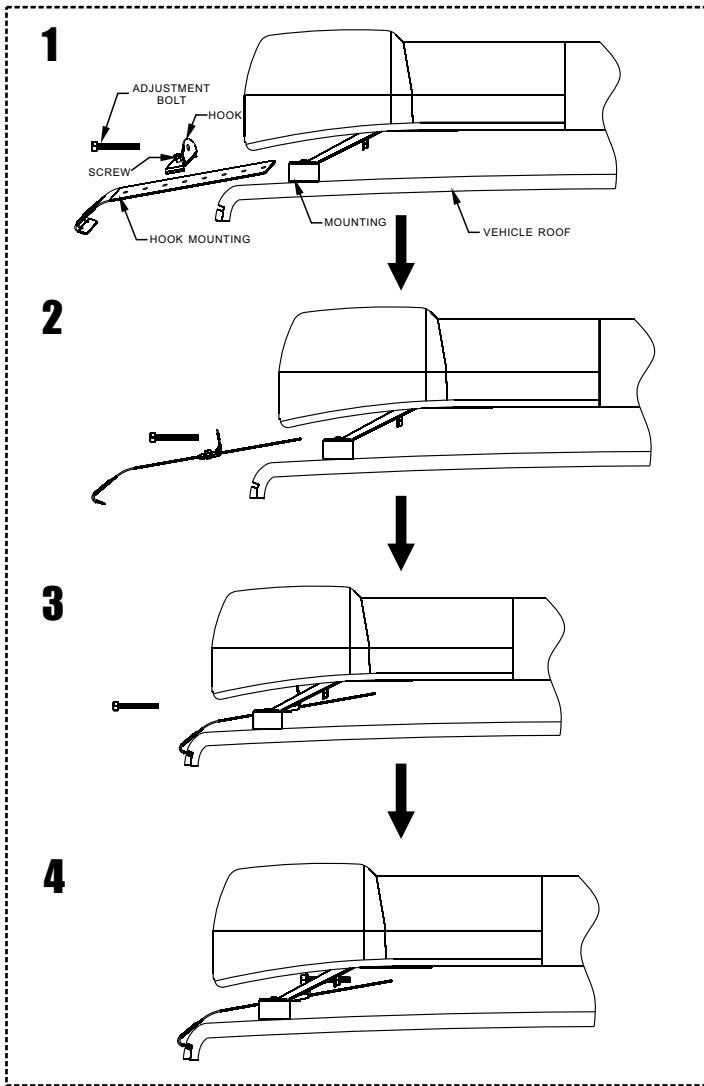


Figure 1

### INSTALLATION

Place the lightbar assembly on the vehicle roof at the desired location. Usually the unit should be installed approximately over the driver's head. Refer to the instructions included with the mounting system kit for additional information.

Water may leak into the vehicle interior if the hook is improperly positioned. Ensure that the hook is positioned above or near the center door post.

Place the hook in position on the roof sheet metal as shown in figure 1.

### WIRING DIAGRAM

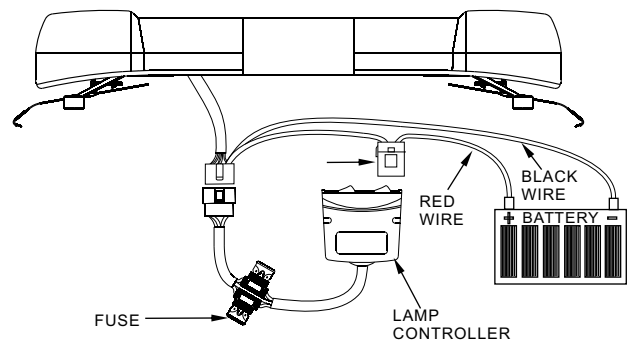


Figure 3

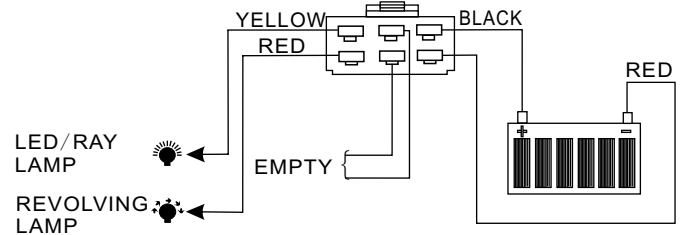


Figure 4

### AFTER INSTALLATION

After joining according to the above **Figure 3**, wrong to check and install, It is correct to confirm. And then put through the power, push the light on the controller and accuse of the switch, checks considerably the lamps and lanterns are at this moment. Deny the normal work.

### INSIDE STRUCTURE

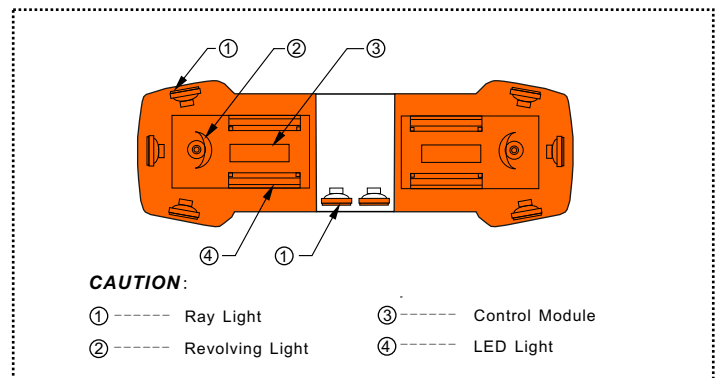


Figure 2

## ⚠ WARNING

The use of this or any warning device does not insure that all drivers can or will observe or react to an emergency warning signal. Never take the right-of-way for granted. It is your responsibility to be sure you can proceed safely before entering an intersection, driving against traffic, responding at a high rate of speed, or walking on or around traffic lanes. The effectiveness of this warning device is highly dependent upon correct mounting and wiring. Read and follow the manufacturer's instructions before installing or using this device. The vehicle operator should insure daily that all features of the device operate correctly. In use, the vehicle operator should insure the projection of the warning signal is not blocked by vehicle components (i.e.: open trunks or compartment doors), people, vehicles, or other obstructions. This equipment is intended for use by authorized personnel only. It is the user's responsibility to understand and obey all laws regarding emergency warning devices. The user should check all applicable city, state and federal laws and regulations. Public Safety Equipment, Inc., assumes no liability for any loss resulting from the use of this warning device. Proper installation is vital to the performance of this warning device and the safe operation of the emergency vehicle. It is important to recognize that the operator of the emergency vehicle is under psychological and physiological stress caused by the emergency situation. The warning device should be installed in such a manner as to: A) Not reduce the output performance of the system, B) Place the controls within convenient reach of the operator so that he can operate the system without losing eye contact with the roadway. Emergency warning devices often require high electrical voltages and/or currents. Properly protect and use caution around live electrical connections. Grounding or shorting of electrical connections can cause high current arcing, which can cause personal injury and/or severe vehicle damage, including fire.