

---

## Roof Top Tent

# User Manual



Please read this user manual before using



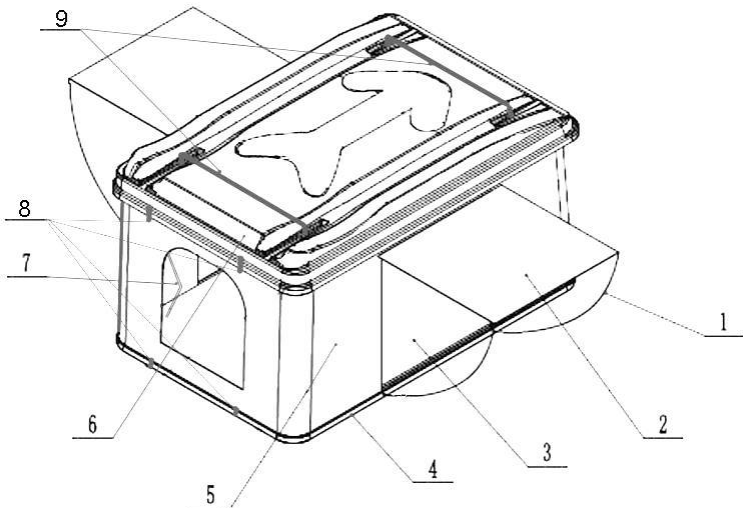
## Warning

- Please ensure that the tent is firmly installed before you start your car.
- Please don't load over weight item and sharp slam is not permitted.
- Be sure no barriers around the tent before opening to avoid the damage.
- The tent must stay away from the fire and heat source to prevent deformation and damage.
- If some parts of the tent are damaged, please contact seller. Please don't replace it with other products.
- Please adjust the angle and height of the ladder and confirm each segment is stable first.
- Please fasten the Latch/Buckle besides frame to ensure the shell is closed firmly.
- The tent must be closed during driving to avoid hurt to the tent, the car and even the people.
- If hearing any abnormal sound during driving, please stop and check immediately. **NO ROUGH HANDLING.**
- Be sure the power cable is disconnected before driving.

## Overview

Product	Rooftop Tent
Product Size	Small Size: 50"x80" / 127x205cm (W*L) Medium Size: 55"x85" / 140x215cm (W*L)
Sleeps	1-3 Persons
Roof	ABS (Black / White)
Textile	Ripstop with coating, Waterproof
Frame	Aluminium Alloy
Open/Close	Gas Strut Lifting
Product Weight	42-47Kgs including mattress, excluding ladders and tools

## Components



- 1. Prop Rods
- 2. Rain Fly
- 3. Mattress
- 4. Bottom & Frame
- 5. Textile
- 6. Roof
- 7. Lifting Structure
- 8. Latch / Buckle
- 9. Carrying Devices (Optional)

## Installation

### ➤ Installation of Car Roof Racks

To use the roof top tent, the vehicle must have cross racks.

▶ If the vehicle has cross racks, please be sure that:

- They can load weight of the tent and persons inside (200kgs/pair at least)
- The car cross racks have an anti-falling off device.

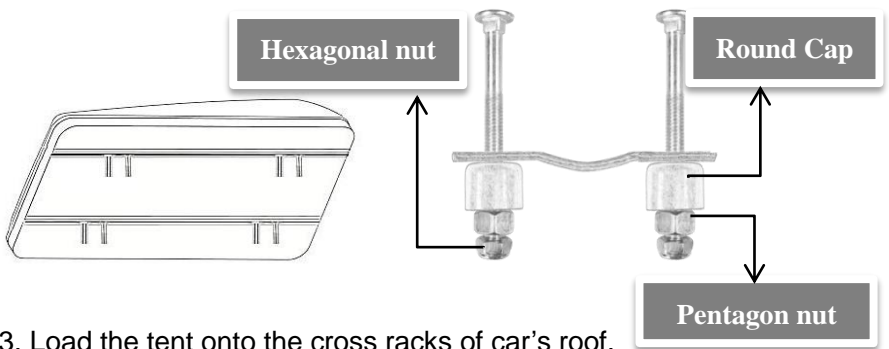
▶ If the vehicle does not have cross bar, please contact seller to choose the optional racks.

*\*We recommend you to go to repair shops to install racks.*

### ➤ Installation of Rooftop Tent

1. Take out the bolts from Mount Bags, and remove the nuts from bolts.

2. Slide the bolts into rails in the bottom of tent. Total are 8 bolts



3. Load the tent onto the cross racks of car's roof.

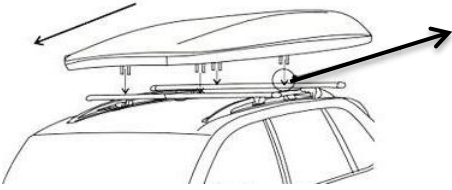
*\* Keep the racks between each pair of bolts and slim side is in front of car.*

4. Add the Splints into the bolts and then slide the round cap into the bolt.

1) fasten the pentagon screw by the anti-thief wrench's pentagon side.

2) fasten the hexagonal screw by the anti-thief wrench's hexagonal side.

*\*Anti-thief wrench is not in each tent. If you need it, please contact seller.*



5. Re-check the installation bolts and nuts after installation.

\*Be sure that they are tight before driving.

6. Check the mounting bolts regularly during the trip.

## Lifting and Using

### ➤ Rising

1. Unlock the Latches/ buckles.
2. Push or pull the shell to upside from front and back side.
3. Take out the ladder and hang it on the hooks of tent frame.
4. Set up the rain fly on each side by 4 prop Rods.
5. Take out the shoes bag and hang it on the side of the tent.

### ➤ Closing

1. Take away the prop Rods and ladder and put them into bags.
2. Pull the belts down from front and back side.
3. Tide the outside textile into the tent.
4. Fasten the Latches/ buckles after the tent completely is closed.
5. Put everything back.

➤ **Installation of Tent Roof Racks (optional)**

1. Take out roof racks and all brackets  
(brackets are inside of ladder bag)
2. Install all the parts as follows



3. Put the racks with all parts to the top of tent

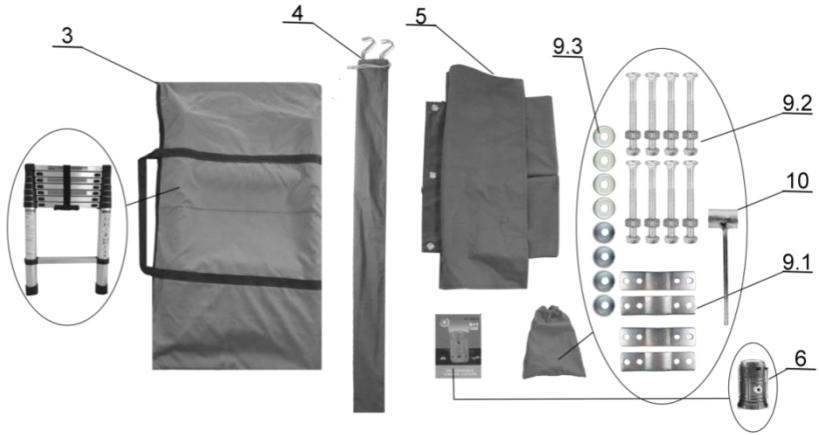




4. Remove the screws on side of roof and then install the brackets there by these screws.



5. Be sure all screws are fastened well.

## What's in the carton?



Item	Qty	Remark	
<b>1</b>	Rooftop Tent	1unit	
<b>2</b>	Mattress	1unit	
<b>3</b>	Telescopic Ladder (230cm)	1unit	In Bag
<b>4</b>	Prop Rods (φ6*110cm)	4pcs	In Bag
<b>5</b>	Shoes Bag	1pc	For 2 pairs of shoes
<b>6</b>	Solar LED light	1pc	In Color Box
<b>9</b>	Mount (Details as follows):		
<b>9.1</b>	4x Splints		
	8x Bolts	1set	
<b>9.2</b>	16x Nuts (each bolt should use two different nuts)		In Bag
<b>9.3</b>	8x Round Cap		
<b>10</b>	Anti-thief Wrench	1pc	
<b>Optional Carrying Devices with tent roof racks and its accessories:</b>			
2x Racks with rubber			
4+4 Brackets with screws			

*\*Some tents does not include Anti-thief wrench. Contact seller, if you need it.*